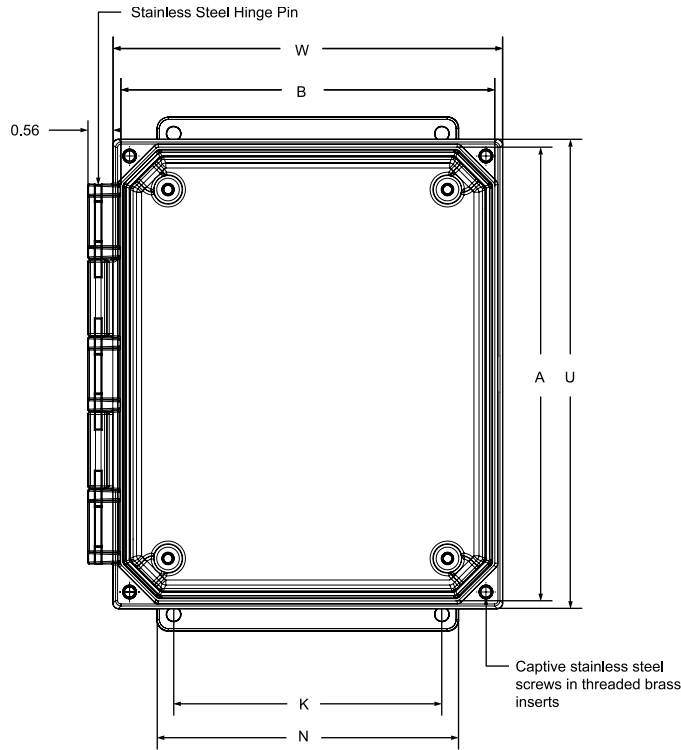
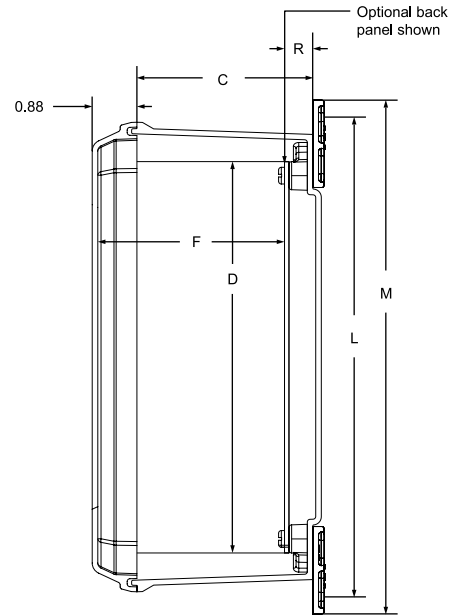


Polyester Modular Enclosures - NEMA 4X

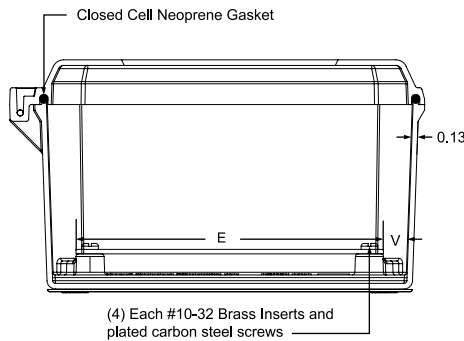
PJU Series - Hinged Screw Cover, Window Door



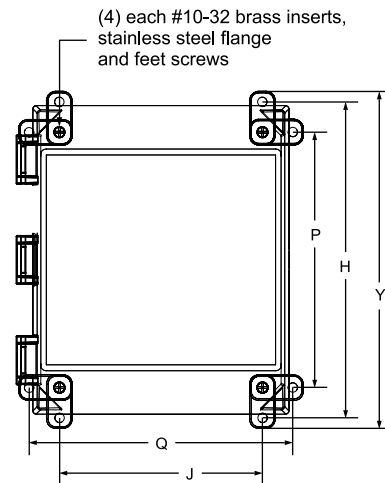
Top View



Side View



Front View



Rear View

Corrosion Resistant
Wallmount Enclosures

Hinged Screw Clear Cover Flange Part No.	Hinged Screw Clear Cover Feet Part No.	N	H	J	P	Q	U	W	Y	R	V	Panel Part No.	Shipping Weight (lbs)
PJU664CCHF ³	PJU664CCH ³	4.80	6.75	4.91	4.69	6.97	6.50	6.72	7.47	0.70	0.52	14R0505	4
PJU864CCHF ³	PJU864CCH ³	4.75	8.75	4.91	6.69	6.97	8.50	6.72	9.46	0.70	0.62	14R0705	4
PJU1084CCHF ¹	PJU1084CCH ¹	6.75	10.75	6.91	8.69	8.97	10.50	8.72	11.47	0.70	0.53	14R0907	6
PJU12106CCHF ¹	PJU12106CCH ¹	8.75	12.70	8.82	10.64	10.88	12.50	10.72	13.47	0.68	0.44	14R0907	6
PJU14126CCHF ²	PJU14126CCH ²	10.75	14.70	10.82	12.64	12.88	14.50	12.72	15.37	0.70	0.46	14R1109	8
PJU16148CCHF ³	PJU16148CCH ³	12.75	16.91	11.47	13.50	14.88	16.50	14.72	17.50	0.70	0.40	14R1311	11
N/A	N/A	12.75	19.16	13.72	15.75	17.13	18.75	16.97	19.89	0.70	0.45	14R1513	12
N/A	N/A	12.75	20.53	13.16	17.13	16.56	20.50	16.72	21.28	0.70	0.50	P1868	17

1 Available 4th Qtr 2006

2 Available 1st Qtr 2007

3 Available 2nd Qtr 2007

4 Available 3rd Qtr 2007

For aluminum and fiberglass panels...see page 130.

Technical references and DXF downloads available at www.hamfmfg.com

All dimensions in inches unless specified otherwise

Quality Enclosures. Service Excellence.